

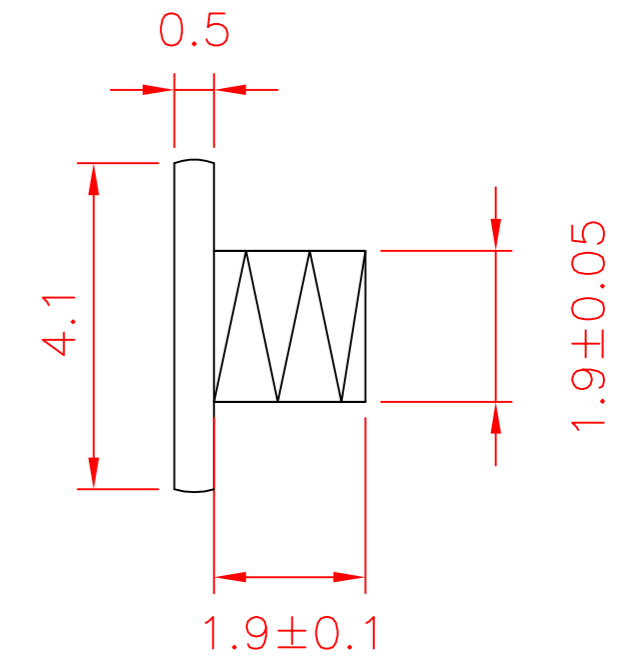
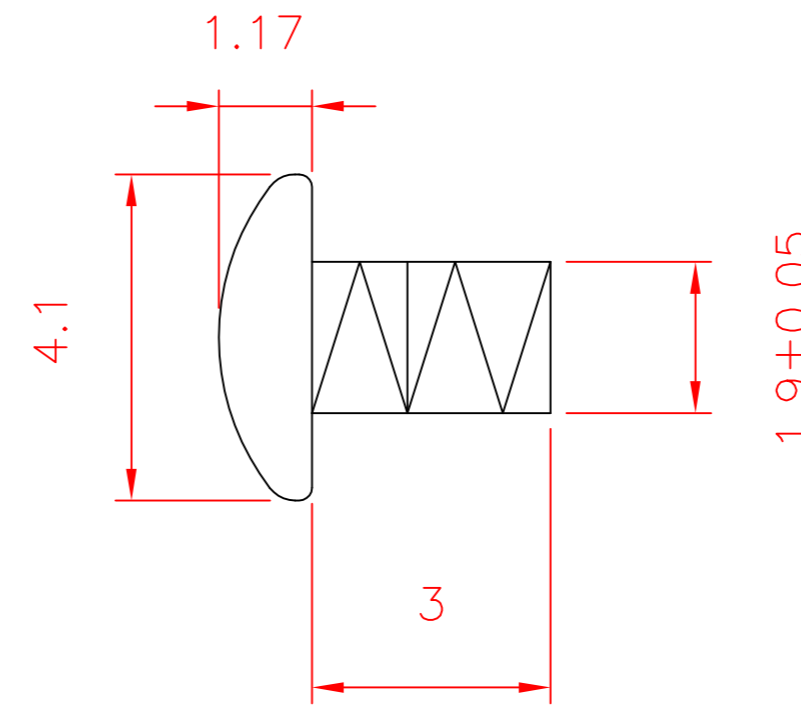
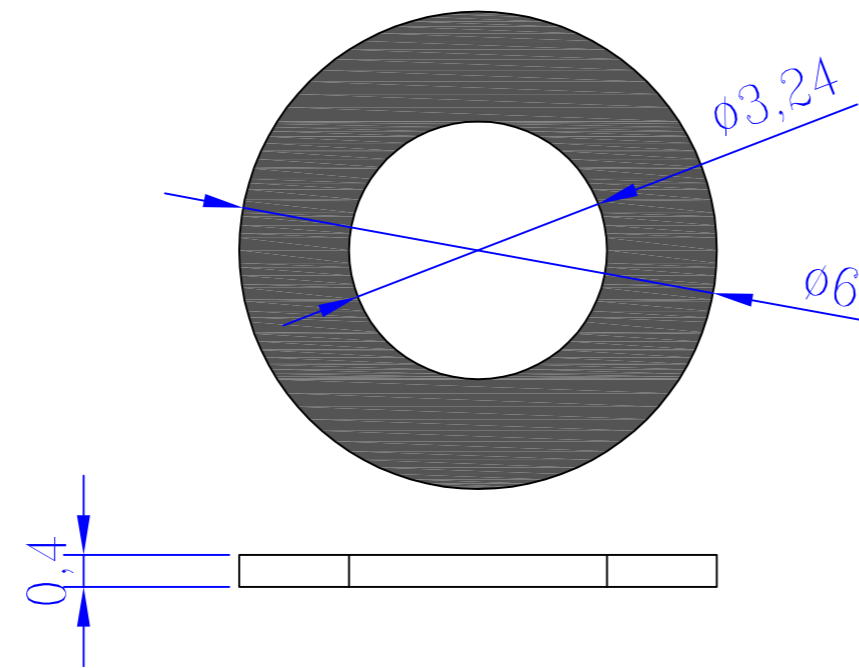
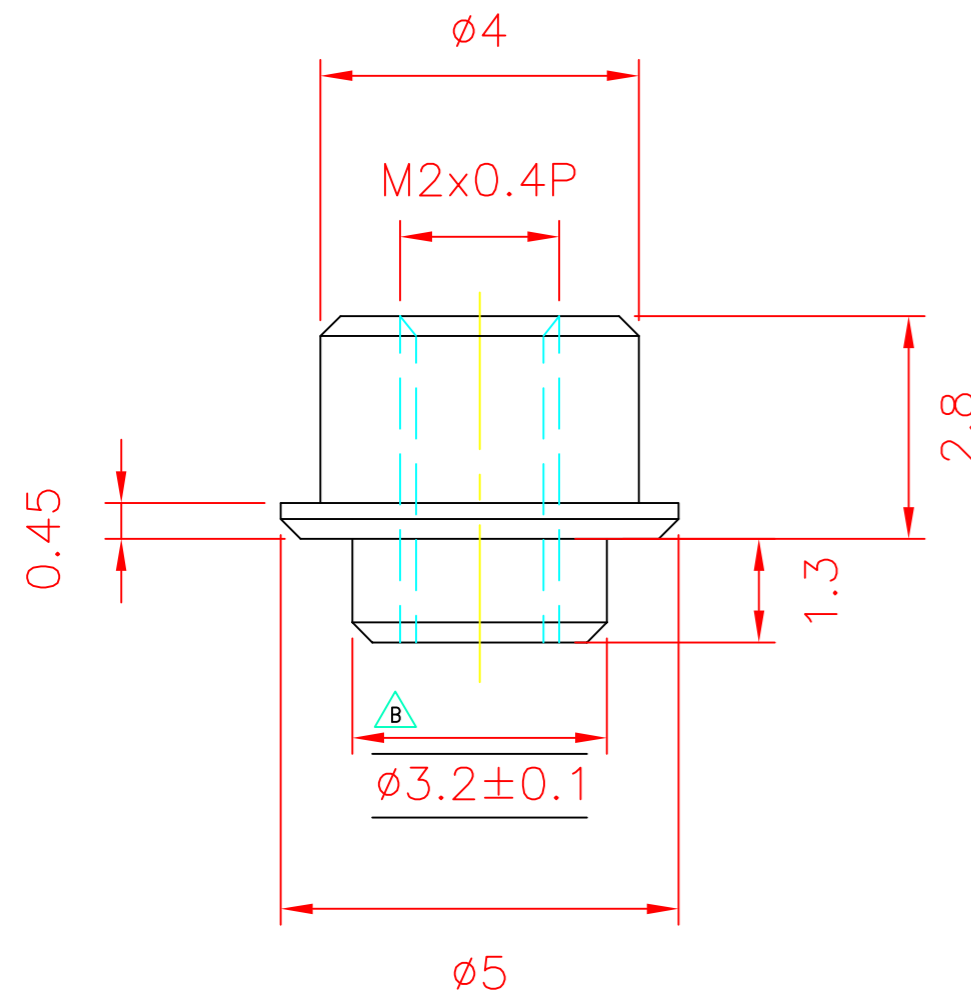
PROPRIETARY AND CONFIDENTIAL
 THE INFORMATION CONTAINED IN THIS DRAWING IS THE SOLE PROPERTY OF BPLUS TECHNOLOGY CO., LTD. ANY
 REPRODUCTION IN PART OR AS A WHOLE WITHOUT THE WRITTEN PERMISSION OF BPLUS TECHNOLOGY CO., LTD. IS PROHIBITED

銅柱 stand off
 材質: 銅柱鍍鎳

墊片 washer
 材質: 不鏽鋼

水滴型螺絲 2 x 3 mm
 screw 2 x 3 mm
 材質: 鍍鎳

平頭螺絲 2 x 2 mm
 screw 2 x 2 mm
 材質: 鍍鎳



APPROVED:	- TOLERANCES -		UNIT: mm	TITLE : Stand off, gasket and screw		SHEET 1/1
ENGINEER:	General	Angles	SCALE: 1:1	DRAWING NUMBER: Stands off, gasket, Screw	Date 2011/JULY/02th	SIZE A4
CHECKED: Gerry	30~ ±0.25	0° ±10°				REV. A/0
DRAWN: Teddy	10~30 ±0.20	0.0° ±2°		Bplus TechnologyCo.Ltd.		
	5~10 ±0.15					
	0~5 ±0.10					